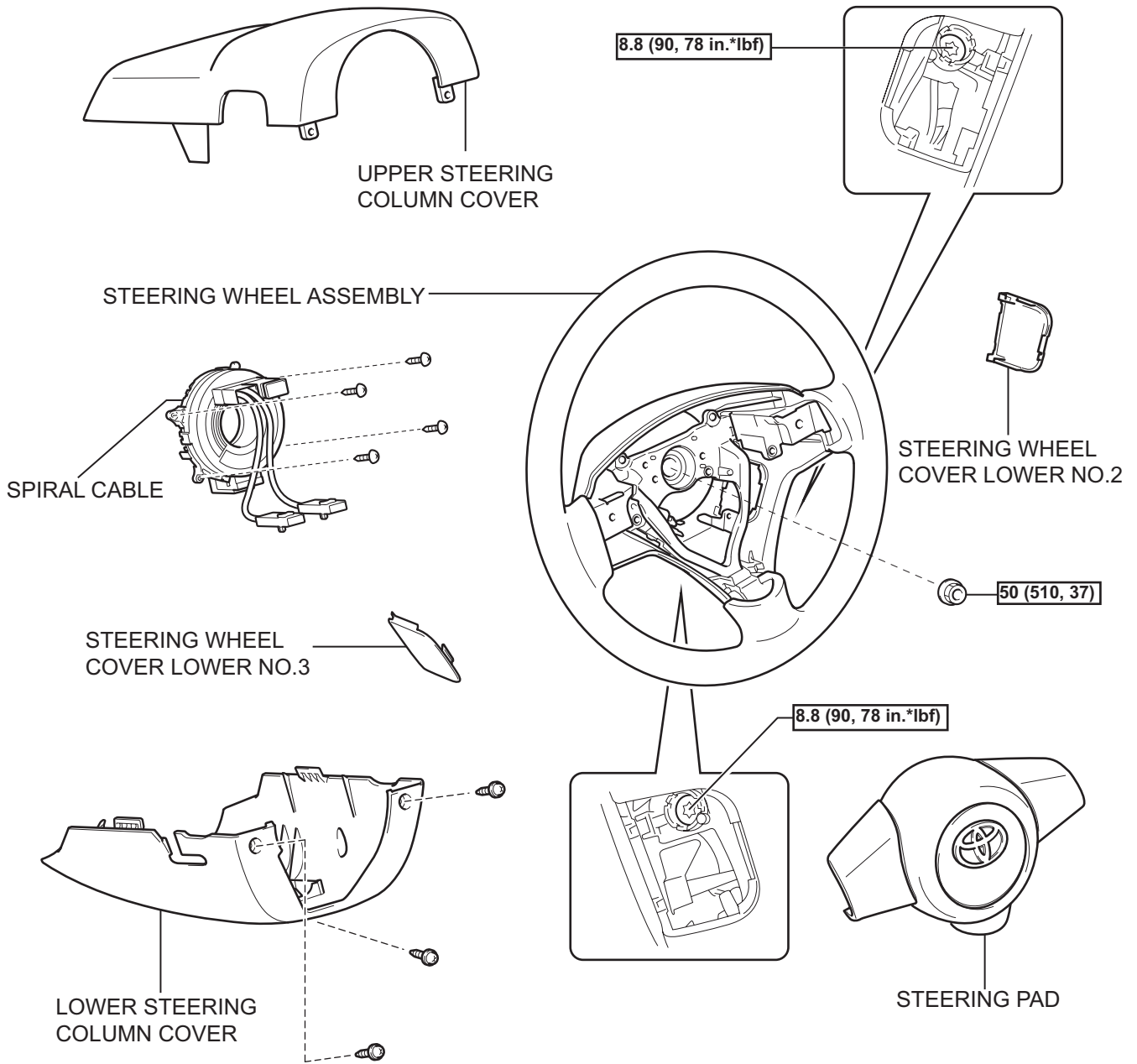


STEERING ANGLE SENSOR COMPONENTS

BC



N*m (kgf*cm, ft.*lbf) : Specified torque

BC

